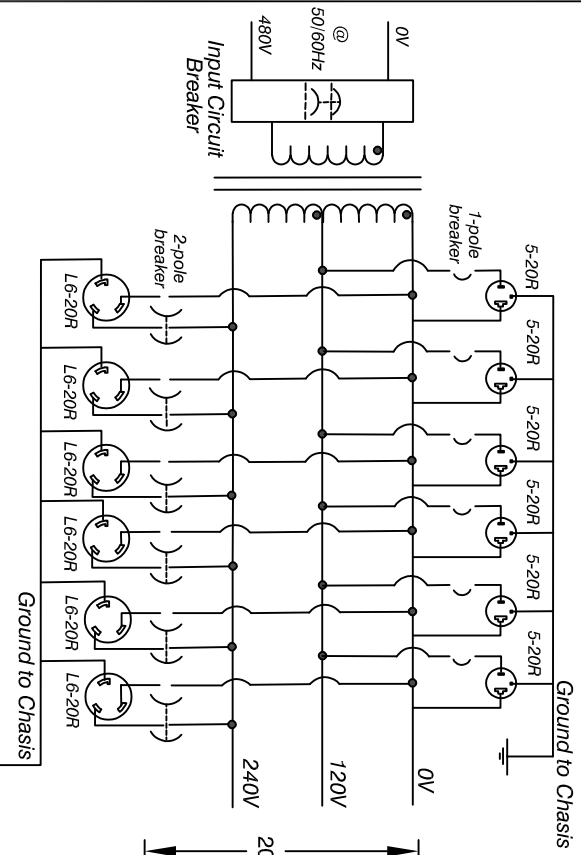


The information contained in this drawing is the sole property of the Coil Winding Specialist, Inc. Any reproduction in part or whole without written permission of Coil Winding Specialist, Inc. is prohibited.

INPUT OUTPUT



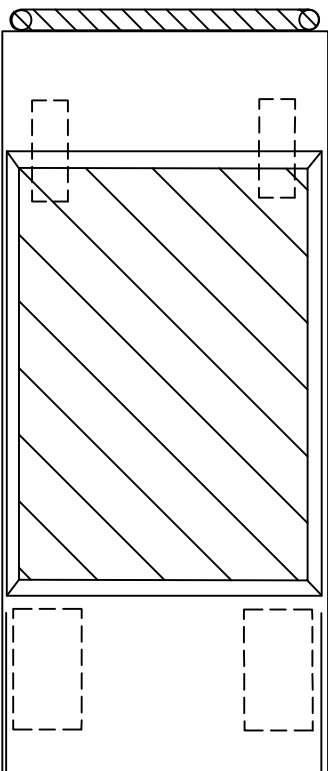
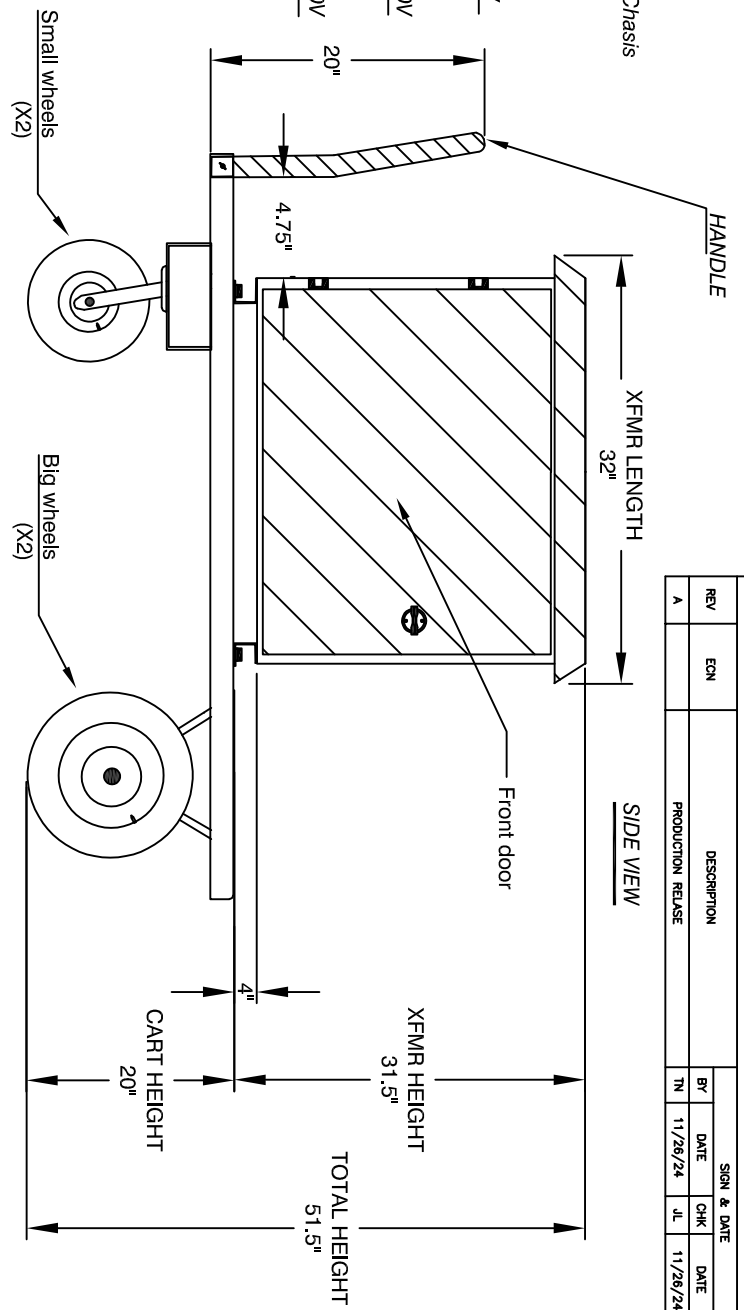
SCHEMATIC

TRANSFORMER WEIGHT: 290 KG TYPICAL  
 OUTPUT CURRENT: 20 AMPS (EACH RECEPTACLE).  
 OUTPUT VOLTAGE: 120V/240VAC  
 INPUT CURRENT: 104.2 AMPS  
 INPUT VOLTAGE: 480VAC  
 TYPE: DRY TRANSFORMER, VARNISHED  
 FREQUENCY: 50/60Hz  
 PHASE: 1  
 CAPACITY: 50KVA  
 SPECIFICATIONS @ 25°C:

- 1 TEMPERATURE CLASS: H  
 MATERIAL: UL RECOGNIZED 94V-0 FOR FLAMMABILITY
- 2

UNIT OF MEASUREMENT IS IN INCHES UNLESS OTHERWISE SPECIFIED.

NOTES: UNLESS OTHERWISE SPECIFIED, READ FROM BOTTOM UP.  
 CAGE CODE: 5DME2



REV	ECH	DESCRIPTION	BR	DATE	CHK	DATE
A		PRODUCTION RELEASE	TN	11/26/24	JL	11/26/24

REVISION HISTORY		SIGN & DATE	
REV	ECH	DESCRIPTION	DATE
A		PRODUCTION RELEASE	11/26/24

UNLESS OTHERWISE SPECIFIED		AUTOCAD		X	
DIMENSIONING AND TOLERANCE PER ANSI Y14.5M	DRWN	TN	DATE	11/26/24	
ALL DIMENSIONS ARE IN INCHES AND (MILLIMETERS)	CHKD	JM	DATE	11/26/24	
TOLERANCE INCHES: <math>\phi = \pm 0.30</math>	ENGR	JL	DATE	11/26/24	
TOLERANCE METRICS: <math>\phi = \pm 0.30</math>	APPR	JL	DATE	11/26/24	
<math>.XXX = \pm .25</math> <math>.XX = \pm .51</math>	DO NOT SCALE DRAWING				

TITLE:		www.coliws.com		Coil Winding Specialist, Inc.	
Portable 50/60Hz, 1 Phase Transformer		sales@coliws.com		353 W GROVE AVE	
480V Input, 120V/240V Output				ORANGE, CA 92865	

SCALE	NOT_TO_SCALE	SHEET	1 OF 1
B			